



Authorized Distributor:  
**INNOVATIVE FOOD EQUIPMENT AUSTRALIA FRIUL AUSTRALIA PTY LTD**  
 1 LUCKNOW CRESCENT, THOMASTOWN 3074 VICTORIA()  
 TEL./FAX. 03 9469 2453 / 03 9436 4066  
 E-mail: paul@ifea.com.au



Sirman Bowl Cutters , model C-tronic 9 :

- Sturdy body in die-cast and extruded aluminium.
  - Motor and tank side-by-side, allowing the product to be isolated from the heat.
  - S/S bowl with handles and heavy bottom.
  - High efficiency ventilated motor for continuous operation
  - Strong cutlery steel knives.
  - Safety micro-switch on lid.
  - Micro-switch on lever.
  - Lid in transparent Tritan allowing excellent visibility during processing.
  - Lid with opening to add ingredients during operation.
  - Standard speed control
  - Scraper spatula for cleaning the tank and lid during processing.
  - Standard: spatula and sharpening stones.
- Options**
- Hub with toothed blades.
  - Hub with holed blades.
  - Hub for pesto.
  - Hub for dough mixes.

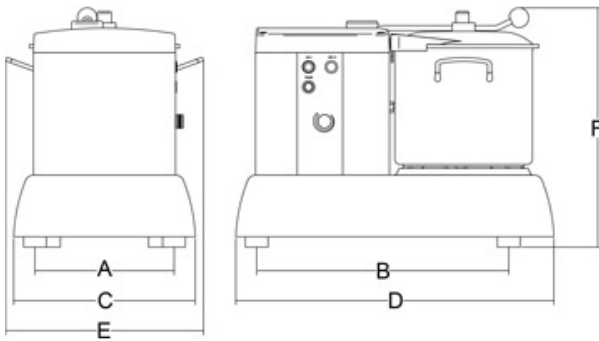


Scraper spatula for cleaning the tank and lid during processing



Variotronic: stabilised speed variator

Data sheet



Technical data

Model	C-Tronic 9 VT
Power	watt 350+350 - Hp 0,5+0,5
Bowl capacity	lt 9,4
Bowl filling level	lt 5,4
Revolutions	rpm 600÷2.800
A	mm 244
B	mm 443
C	mm 319
D	mm 560
E	mm 348
F	mm 420
Net weight	kg 23
Shipping	-
Gross weight	-
HS-CODE	84386000