



Authorized Distributor:
INNOVATIVE FOOD EQUIPMENT AUSTRALIA FRIUL AUSTRALIA PTY LTD
 1 LUCKNOW CRESCENT, THOMASTOWN 3074 VICTORIA()
 TEL./FAX. 03 9469 2453 / 03 9436 4066
 E-mail: paul@ifea.com.au



Sirman Bowl Cutters , model C-tronic 9 Plus :

- Sturdy body in die-cast and extruded aluminium.
- Asynchronous motor with inverter for adjusting the power at all speeds.
- Processing speed up to 3,500 g / m.
- Scraper spatula for cleaning the tank and lid during processing.
- S/S bowl with handles and heavy bottom.
- Safety micro-switch on lid.
- Micro-switch on lever.
- Lid in transparent Tritan allowing excellent visibility during processing.
- Lid with opening to add ingredients during operation.
- Standard: spatula and sharpening stones.

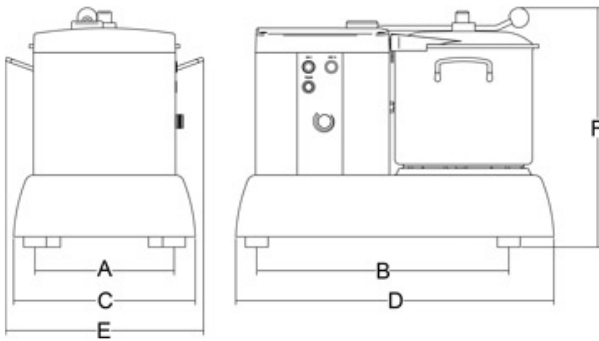
Options

- Hub with toothed blades.
- Hub with holed blades.
- Hub for pesto.
- Hub for dough mixes.



Scraper spatula for cleaning the tank and lid during processing

Data sheet



Technical data

Model	C-Tronic 9 Plus
Power	watt 1.100 - Hp 1,5
Bowl capacity	lt 9,4
Bowl filling level	lt 5,4
Revolutions	rpm 600÷3.500
A	mm 244
B	mm 443
C	mm 319
D	mm 560
E	mm 348
F	mm 420
Net weight	kg 30
Shipping	-
Gross weight	-
HS-CODE	84386000