



Authorized Distributor:
INNOVATIVE FOOD EQUIPMENT AUSTRALIA FRIUL AUSTRALIA PTY LTD
 1 LUCKNOW CRESCENT, THOMASTOWN 3074 VICTORIA()
 TEL./FAX. 03 9469 2453 / 03 9436 4066
 E-mail: paul@ifea.com.au



Sirman Bowl Cutters , model C-tronic 4 :

- Sturdy body in die-cast and extruded aluminium.
 - Motor and tank side-by-side, allowing the product to be isolated from the heat.
 - S/S bowl with handles and heavy bottom.
 - High efficiency ventilated motor for continuous operation
 - Strong cutlery steel knives.
 - Safety micro-switch on lid.
 - Micro-switch on lever.
 - Lid in transparent Tritan allowing excellent visibility during processing.
 - Lid with opening to add ingredients during operation.
 - Standard speed control
 - Scraper spatula for cleaning the tank and lid during processing.
 - Standard: spatula and sharpening stones.
- Options**
- Hub with toothed blades.
 - Hub with holed blades.
 - Hub for pesto.
 - Hub for dough mixes.

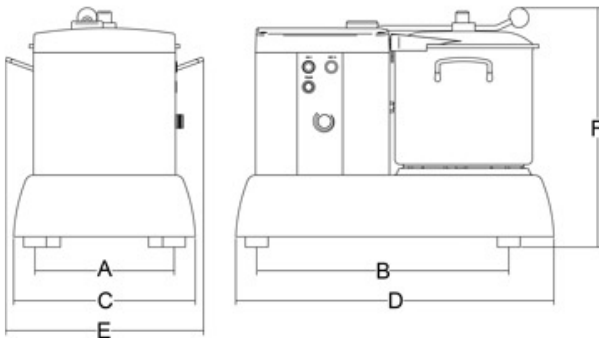


Scraper spatula for cleaning the tank and lid during processing



Variotronic: stabilised speed variator

Data sheet



Technical data

Model	C-Tronic 4 VT
Power	watt 350 - Hp 0,5
Bowl capacity	lt 3,3
Bowl filling level	lt 1,5
Revolutions	rpm 600÷2.800
A	mm 185
B	mm 369
C	mm 251
D	mm 457
E	mm 296
F	mm 300
Net weight	kg 13,5
Shipping	-
Gross weight	-
HS-CODE	84386000