

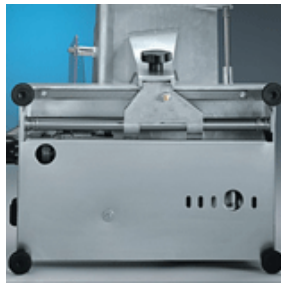
**TOPAZ 250**



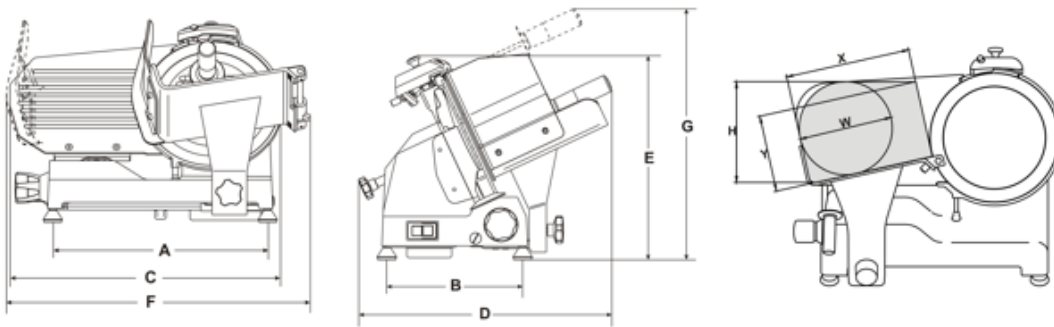
- Anodized cast aluminium alloy.
- Flat base for easy cleaning.
- Strong and silent-running asynchronous motor.
- Reliable poliV belt drive.
- Forged, hardened large thickness blades.
- Carriage running on self-lubricating bushes.
- Cast-in sharpener.
- Cast-in sharpener is standard for all models bigger than 220 A.I.
- Teflon coated or toothed blades available.
- Blade inclination 25°.



Hand guard



Underside motor protection plate



<b>Model</b>	TOPAZ 250
<b>Blade</b>	mm 250 - inch. 10"
<b>Motor</b>	Watt 145 - Hp 0,20
<b>Cut thickness</b>	mm 13
<b>Run of carriage</b>	mm 235
<b>Hopper</b>	mm 220x225
<b>A</b>	mm 412
<b>B</b>	mm 255
<b>C</b>	mm 480
<b>D</b>	mm 410
<b>E</b>	mm 360
<b>F</b>	mm 515
<b>G</b>	mm 455
<b>X</b>	mm 210
<b>Y</b>	mm 170
<b>H</b>	mm 190
<b>W</b>	mm 180
<b>Net weight</b>	Kg 15,5
<b>Shipping dimension</b>	mm 600x500x420
<b>Gross weight</b>	Kg 17,5