

PALLADIO 350



- Rounded design, no sharp edges and visibile screws.
- Chrome plated and ground slide rod.
- Lapped cast iron slide rod bushing.
- Vulcanized rubber stops on carriage.
- Removable support cover for thickness gauge plate.
- Stainless steel slice deflector with bayonet fitting.
- Stainless steel screws and fittings.
- Enclosed and sealed belt pulley.
- 49,5 mm distance between blade and motor.
- Bottom cover.
- Changeover electronic circuit 110-220-380 V single and three phase.
- Built in sharpening tool with bottom protection.
- Standard blade removal tool.
- 35° blade inclination
- Plastic knob.
- Plastic pushbuttons with IP67 protection rating.

Optional Stonehenge:

- Cast aluminum alloy with special ceramic-teflon coating treatment
- Ideal for sticky products processing
- Excellent product gliding and easy to clean
- Highly resistant to acids and sanitizing chemicals
- Removable parts are dishwasher safe
- Aluminum-gray finish colour.

Available versions:

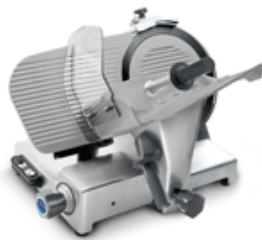
- **Stonehenge:** table, blade cover, carriage, end weight
- **Stonehenge Plus:** base, table, knife rim guard, blade cover, carriage, end weight, sharpener housing



More space between blade and body machine



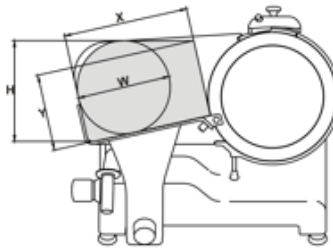
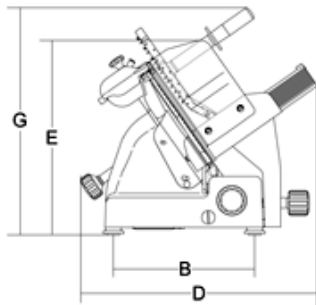
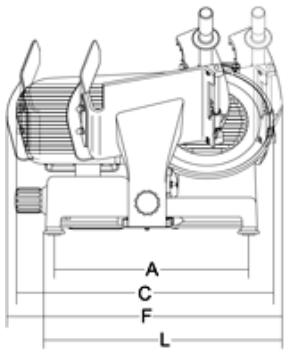
Large hopper



Palladio Stonehenge



Palladio Stonehenge Plus



Model	PALLADIO 350
ø Blade	mm 350 - inch. 14
Motor	watt 370 - Hp 0,50
Cut thickness	mm 23
Run of carriage	mm 310
Hopper	mm 305x270
A	mm 465
B	mm 340
C	mm 660
D	mm 575
E	mm 455
F	mm 710
G	mm 530
L	mm 590
X	mm 270
Y	mm 225
H	mm 275
W	mm 250
Net weight	kg 37
Shipping	mm 760x640x700

Gross weight

kg 46
