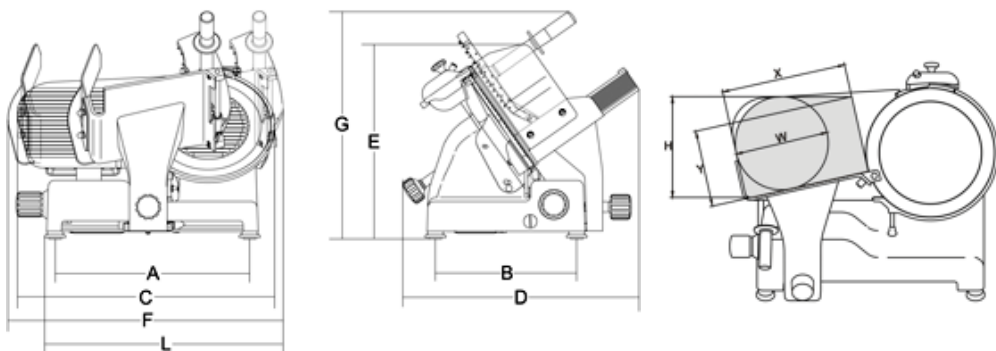


**PALLADIO 330 EVO**



- Round outline with no sharp corners or screws in open view.
- Special configuration of the base and slicer table to prevent chips and liquids from entering the critical devices of the machine (buttons, turn knob, etc.).
- Hi-tech tipping system and feeding pan disassembly.
- Sliding pin, chrome-plated and precision-grounded.
- Permanently lubricated carriage ball bearings.
- Rubber pads on carriage in vulcanized rubber.
- Removable table cover.
- Slice deflector in stainless steel with bayonet coupling.
- All nuts and screws are in stainless steel.
- New blade pulley without centre hole to facilitate cleaning.
- New sealing gasket on pulley.
- Blade and head set 49 mm apart.
- Bottom cover.
- Commutable electronic board 110-220-380 V single and three-phase.
- Sharpener with bottom protective tray:
- Adjustable slicer table movement, guarantees higher cutting precision of thin slices.
- Safety ring on table shaft to prevent liquids from seeping inside the machine.
- Blade tilting angle: 35°.
- Buttons in insulated stainless steel (IP 67) in housing.
- Optional lever to facilitate cleaning.



<b>Model</b>	Palladio 330 EVO
<b>Ø blade</b>	mm 330 - inch.13
<b>Motor</b>	watt 270 - Hp 0,37
<b>Cut Thickness</b>	mm 23
<b>Run of carriage</b>	mm 310
<b>Hopper</b>	mm 350x290
<b>A</b>	mm 465
<b>B</b>	mm 340
<b>C</b>	mm 660
<b>D</b>	mm 640
<b>E</b>	mm 620
<b>F</b>	mm 730
<b>G</b>	-
<b>L</b>	-
<b>X</b>	mm 265
<b>Y</b>	mm 170
<b>H</b>	mm 260
<b>W</b>	mm 225
<b>Net weight</b>	kg 40
<b>Shipping</b>	mm 870x840x750
<b>Gross weight</b>	kg 55

