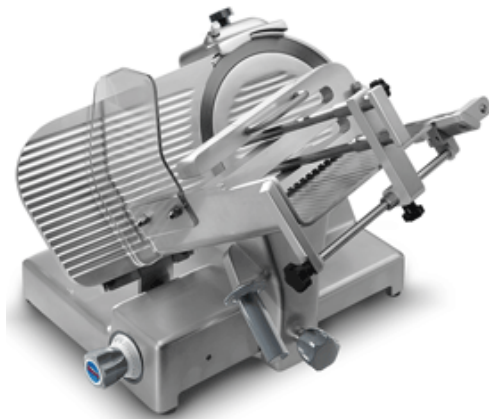


**PALLADIO 350 AUT.**



- Rounded design, no sharp edges and visibile screws.
- Chrome plated and ground slide rod.
- Lapped cast iron slide rod bushing.
- Vulcanized rubber stops on carriage.
- Removable support cover for thickness gauge plate.
- Stainless steel slice deflector with bayonet fitting.
- Stainless steel screws and fittings.
- Enclosed and sealed belt pulley.
- 49,5 mm distance between blade and motor.
- Bottom cover.
- Power source 220V.
- Built in sharpening tool with bottom protection.
- Standard blade removal tool.
- Ergomic controls – push buttons with IP67 protection rating.
- 3 speed selection
- 3 different adjustments for carriage travel.
- Slice counter.
- Slice number settino with automatic stop feature.
- Enclosed and sealed drive motor.
- Positive drive belt.
- Carriage release system for manual slicing.



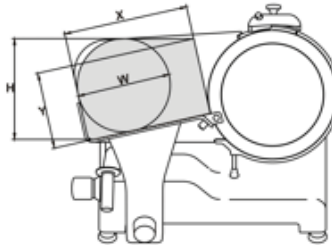
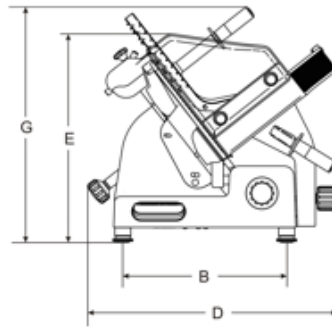
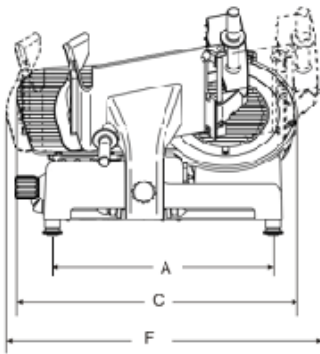
Controls



Large hopper



More space between blade and  
body machine



|                         |                             |
|-------------------------|-----------------------------|
| <b>Model</b>            | PALLADIO 350 AUT.           |
| <b>Ø blade</b>          | mm 350 - inch. 14           |
| <b>Motor</b>            | watt 275+200 - Hp 0,37+0,27 |
| <b>Cut of thickness</b> | mm 23                       |
| <b>Run of carriage</b>  | mm 310                      |
| <b>Hopper</b>           | mm 365x270                  |
| <b>A</b>                | mm 465                      |
| <b>B</b>                | mm 340                      |
| <b>C</b>                | mm 660                      |
| <b>D</b>                | mm 660                      |
| <b>E</b>                | mm 455                      |
| <b>F</b>                | mm 730                      |
| <b>G</b>                | mm 650                      |
| <b>X</b>                | mm 270                      |
| <b>Y</b>                | mm 230                      |
| <b>H</b>                | mm 275                      |
| <b>W</b>                | mm 255                      |
| <b>Net weight</b>       | kg 43                       |
| <b>Shipping</b>         | mm 780x640x700              |
| <b>Gross weight</b>     | kg 48                       |