

Distributore autorizzato:  
**Innovative Food Equipment**  
 4/8 Oleander Drive, South Morang  
 3752 Victoria ( )  
 Tel. 03 9436 4488  
 Fax 03 9436 4066  
 E-mail: sales@ifea.com.au

**SIRMAN** *solo per professionisti*

**ANNIVERSARIO LX 350**

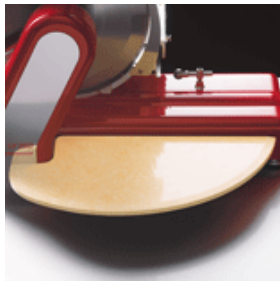


Anniversario LX: a perfect mix of classical elegance with modern functionality. Fusion of style and ergonomics, easy use and good taste, practical and exclusive. A poem of lines, lights, colours and technics, pure, simple and durable technics.... A real dream!

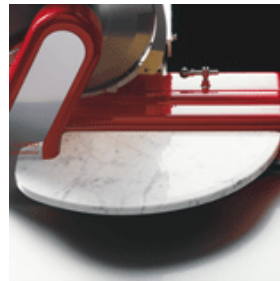
- Solid cast iron construction epossidic painted.
- Carriage and other details made of anodized alluminium alloy.
- Self adjusting blocking arm with stainless steel removable pushern.
- Carriage easy to remove.



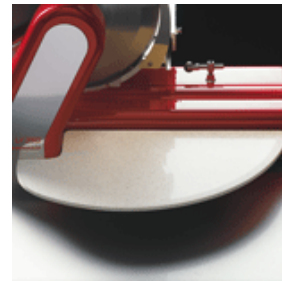
White starlight surface



Sand-Coloured V. 2300 surface



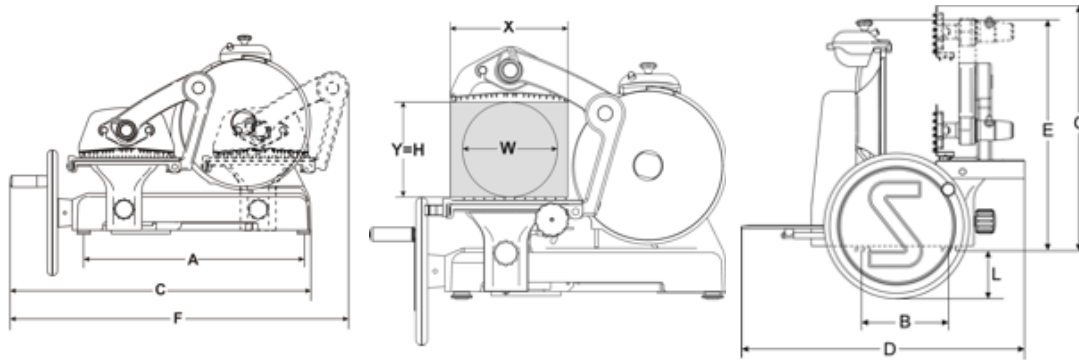
White marble surface Carrara



White starlight surface



Optional stand



<b>Model</b>	LX 350
<b>Ø Blade</b>	mm 350 - inch. 14
<b>Cut thickness</b>	mm 3
<b>Run of carriage</b>	mm 345
<b>Hopper</b>	mm 320x350
<b>A</b>	mm 592
<b>B</b>	mm 180
<b>C</b>	mm 820
<b>D</b>	mm 780
<b>E</b>	mm 560
<b>F</b>	mm 910
<b>G</b>	mm 615
<b>L</b>	mm 120
<b>X</b>	mm 330
<b>Y</b>	mm 255
<b>H</b>	mm 255
<b>W</b>	mm 255
<b>Net weight</b>	kg 72
<b>Shipping</b>	mm 960x920x860
<b>Gross weight</b>	kg 90
<b>/</b>	/
<b>Dim. Stand</b>	mm 700x700 h.858
<b>Weight Stand</b>	kg 120