

Distributore autorizzato:
Innovative Food Equipment
 4/8 Oleander Drive, South Morang
 3752 Victoria ()
 Tel. 03 9436 4488
 Fax 03 9436 4066
 E-mail: sales@ifea.com.au

SIRMAN *solo per professionisti*

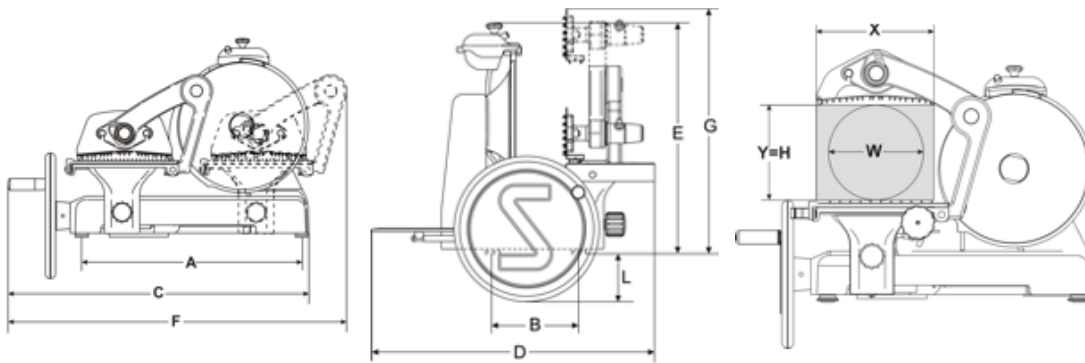
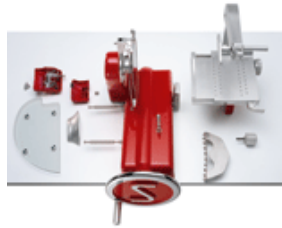
ANNIVERSARIO 300



- Flywheel Slicer ANNIVERSARIO 300
- 300 mm (12") blade Flywheel slicer.
- Polished and painted aluminium construction.
- Featuring stainless steel and silver anodized aluminum details.
- Patented motion system with no visible mechanical parts.
- Table featuring a lateral movement with a double articulating arm BS1 to firmly hold and smoothly slide the produce through.
- Removable carriage for ease of cleaning.
- Simple, yet stylish Italian design, rounded for ease of cleaning.
- The only one featuring a removable carriage. Easy to clean and disassemble without tools.



Optional red stand



Model	ANNIVERSARIO 300
Ø blade	mm 300 - inch. 12
Cut thickness	mm 0÷3
Run of carriage	mm 285
Hopper	mm 270x295
A	mm 520
B	mm 180
C	mm 770
D	mm 625
E	mm 510
F	mm 855
G	mm 590
L	mm 90
X	mm 270
Y	mm 200
H	mm 200
W	mm 200
Net weight	kg 60
Shipping	mm 960x920x860
Net weight	kg 78