



Authorized Distributor:  
**INNOVATIVE FOOD EQUIPMENT**  
 4/8 OLEANDER DRIVE, SOUTH MORANG 3752 VICTORIA(A)  
 TEL./FAX. 03 9436 4488 / 03 9436 4066  
 E-mail:paul@ifea.com.au



From the Sirman Slicers range, we introduce the model Leonardo 350 Bs2 Top with the following features:

- Innovative rounded design and no sharp edges or visible screws
- Chrome plated ground and lapped slide rod
- Lapped cast iron slide rod bushing
- Vulcanised rubber stops on carriage
- Removable support cover for thickness gauge plate
- Stainless steel slice deflector with snap-on bayonet fitting
- Stainless steel screws and fittings
- Bottom cover for accessing electrical components
- Changeover electronic circuit 110—220—380 V single and three-phase
- Built-in sharpening tool with bottom protection
- Easy to remove grease guard mounted along the thickness gauge plate
- Standard blade removal tool
- Aluminium knobs
- G&B blade
- Aluminium telescopic feet with rubber base
- Stainless steel pushbuttons with IP67 protection rating
- Maintenance tool kit and demo CD
- Enclosed and sealed belt pulley.
- 70 mm distance between blade and motor
- Easy to raise arm with ergonomic handgrip
- Amply dimensioned stainless arm easy to remove
- Tray and slides perfectly parallel, and with raised plate for improved food grip



Wide space between blade and motor



Steel slice guard in application

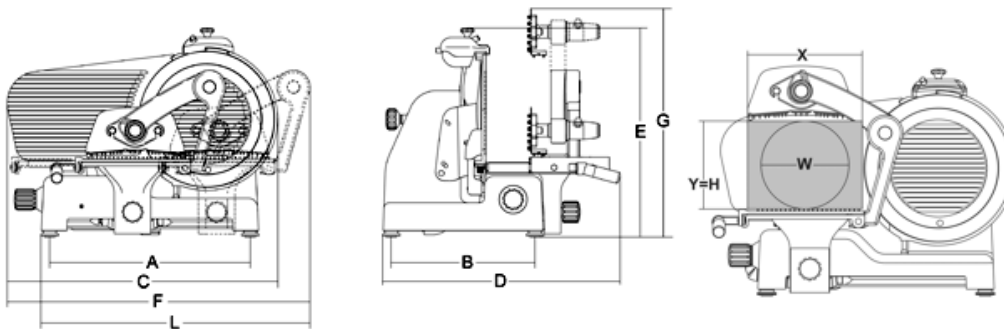


Optional scale



Controls on body (push-buttons IP67)

Data sheet



Technical data

Model	LEONARDO 350 BS2 TOP
Blade	mm 350 - inches 14"
Motor	Watt 380 - Hp 0,52
Cut thickness	mm 25
Run of carriage	mm 370
Hopper	mm 350x320
A	mm 575
B	mm 410
C	mm 740
D	mm 690
E	mm 600
F	mm 880
G	mm 660
L	mm 760
X	mm 320
Y	mm 255
H	mm 255
W	mm 255
Net weight	kg 57

Shipping	mm 870x840x830
Gross weight	kg 73